

# Model # 3838

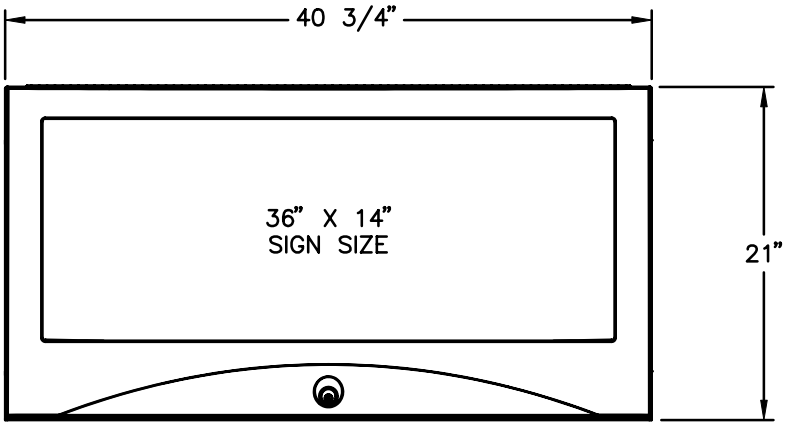
## Island Identifier

**Features:**

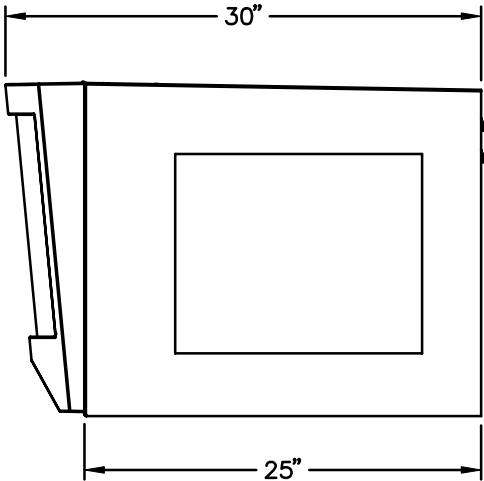
- \*Backlit Front Sign
- \*Network Display Area
- \*Optional Backlit Side Signs
- \*Secure Storage



TOP VIEW



FRONT VIEW



SIDE VIEW

THE INFORMATION CONTAINED IN THIS DRAWING IS COPYRIGHTED. ANY REPRODUCTION IN PART OR WHOLE WITHOUT WRITTEN PERMISSION IS STRICTLY PROHIBITED.