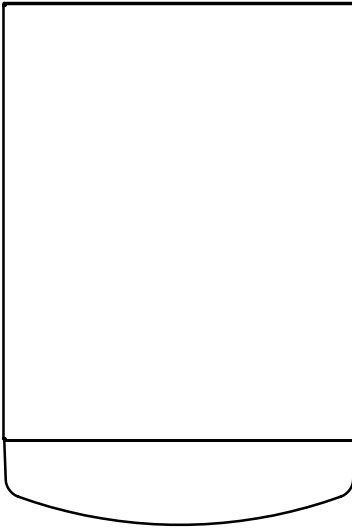


Model # 2250

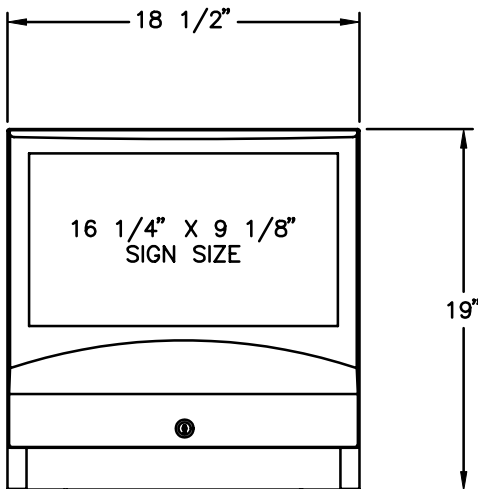
Lobby Topper

Features:

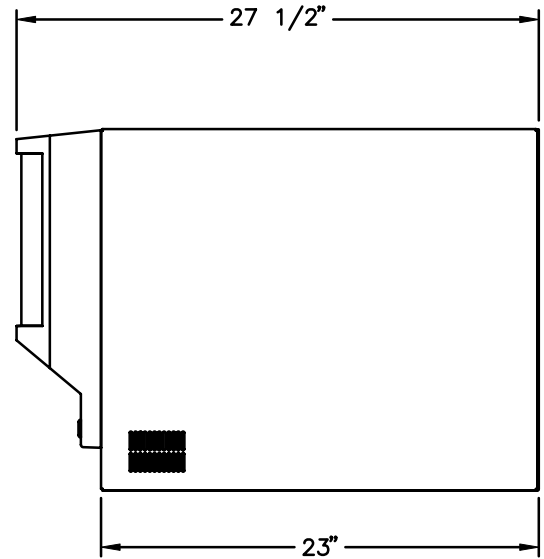
- *Backlit Front Sign
- *Secure Storage Area
- *Network Display Area
- *Variable Body Depths (23", 19" & 14 1/2")



TOP VIEW



FRONT VIEW



SIDE VIEW

THE INFORMATION CONTAINED IN THIS DRAWING IS
COPYRIGHTED. ANY REPRODUCTION IN PART OR WHOLE
WITHOUT WRITTEN PERMISSION IS STRICTLY PROHIBITED.