



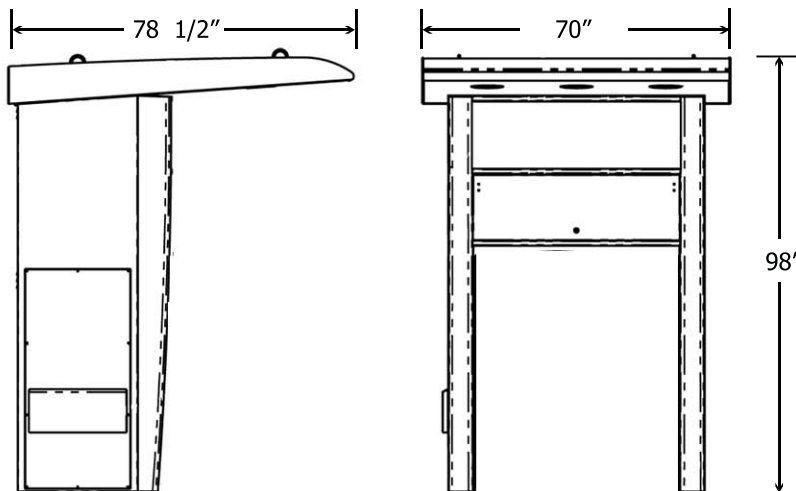
* Shown with optional network display.

Features and Benefits

- **Prominent outdoor walk-up kiosk** provides immediate branding impact
- **Metal canopy** protects customers from inclement weather
- Includes **backlit front sign** for improved branding and recognition
- **Downlighting** complies with AB244 exterior lighting requirements
- **Secure storage** with front access
- **Interior power outlets, rear vents, ATM AC venting**
- Offers **area for network affiliation display**
- **Molded-in color and texture** resists marks and abrasions

Materials

- Fiberglass composite front
- Interior steel structure
- Aluminum sides, back, and canopy



ATM Compatibility

- Diebold**
Opteva 750
- NCR**
5890, 6638
- Wincor Nixdorf**
ProCash 2350xe
- Nautilus Hyosung**
Monimax 7600i