



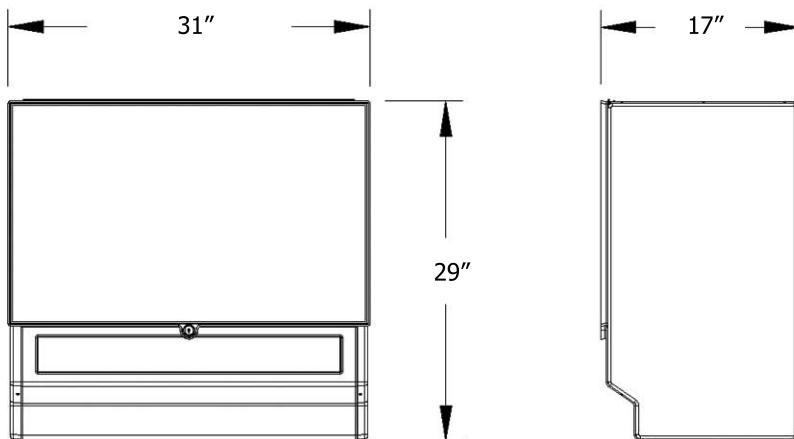
* Shown with optional camera window and network display.

Features and Benefits

- **Large topper** increases ATM visibility and improves recognition
- Includes **backlit front sign** for improved branding and identification
- Easily accessible, **secure storage area**
- Offers **area for network affiliation display** or **graphics panel**
- **Optional camera window** for your security cameras
- **Optional cord chase**

Materials

Thermoformed plastic



ATM Compatibility

Diebold

Opteva 720, 1062ix

NCR

5675, 5875

Wincor Nixdorf

ProCash 3100xe